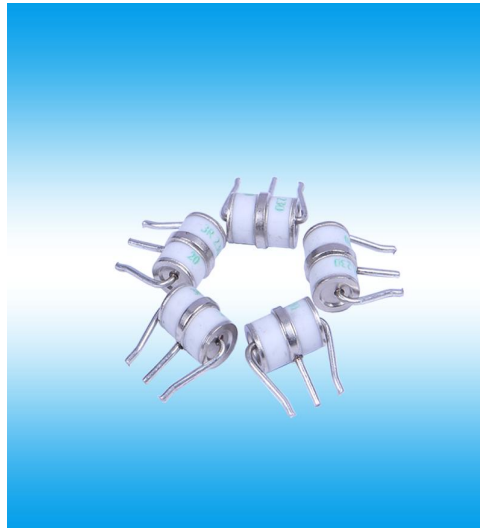


Type KW8M3R Series /Gas Discharge Tube 氣體放電管



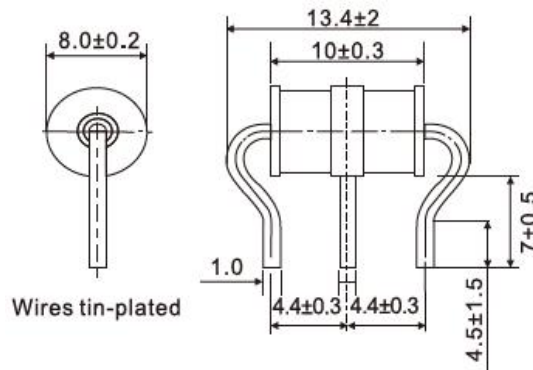
Features 产品特征

- ➔ Radioactive 引线式
- ➔ Low insertion loss 低插入损耗
- ➔ Excellent response to fast rising transients 对快速上升瞬态极好的响应
- ➔ 10KA surge capability testde with 8/20μs pulse as defined by IEC 61000-4-5 根据IEC 61000-4-5的定义，测试8/20 μ s脉冲的10KA冲击能力
- ➔ RoHS compliant 通过无铅认证
- ➔ Ultra low capacitaonce 超低电容

Applications 产品应用

- ➔ Communication equipment 通信设备
- ➔ Test equipment 测试设备
- ➔ Broadband equipment 宽带设备
- ➔ Power supplies 电源供应器
- ➔ CATV equipment 有线电视设备
- ➔ Data lines 数据传输线
- ➔ Consumer electronics 消费类电子产品
- ➔ Telecom SLIC protection 电信SLIC保护

Dimensions(Unit:mm)尺寸 (单位: mm)



Agency Approvals 认证

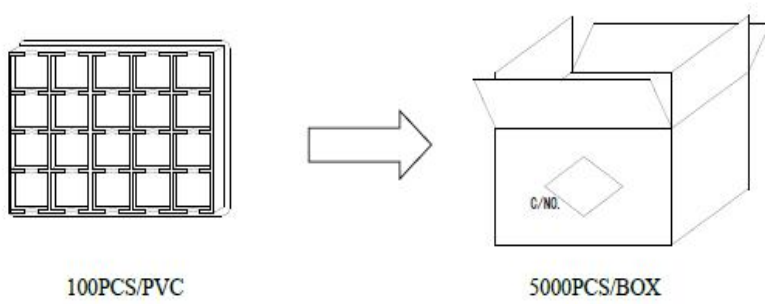
Icon	Description
RoHS	Compliance with 2011/65/EU
HF	Compliance with IEC61249-2-21:2003
	Mean Lead free
	Compliance with UL497B, Certificated E324754

Type KW8M3R Series

Electrical Specifications 电气特性

Catalog Number	DC Spark-Over Voltage 100V/s Vs(V)	Impulse Spark-Over 1KV/ μ s Vis(V)Max	Nom Impulse Discharge Current 10 \times 700 μ s(KV)	Nom Impulse Discharge Current 8 \times 20 μ s(KA)	Insulation Resistance		Capacitance C 1MHz < 6V pF Max
					Min. M Ω	DC V	
KW8M3R75	75V \pm 30%	700	10.0	10.0	1000	50	1
KW8M3R90	90V \pm 30%	700	10.0	10.0	1000	50	1
KW8M3R150	150V \pm 30%	700	10.0	10.0	1000	50	1
KW8M3R230	230V \pm 20%	600	10.0	10.0	1000	100	1
KW8M3R350	350V \pm 20%	800	10.0	10.0	1000	100	1
KW8M3R420	420V \pm 20%	900	10.0	10.0	1000	250	1
KW8M3R470	470V \pm 20%	900	10.0	10.0	1000	250	1
KW8M3R600	600V \pm 20%	1200	10.0	10.0	1000	250	1
KW8M3R1000	1000V \pm 20%	1800	10.0	10.0	1000	250	1

Packaging and Type Designation 包装和型号名称



Formation of Type Designation 类型命名的形成

Example: KW - 8 - M - 3R-90- * - * - *

① ② ③ ④ ⑤ ⑥ ⑦ ⑧

Symbols 符号表

① Company code	KW=Kingwahoo product
② Rated diameter	5=5mm diameter 6=6mm diameter 8=8mm diameter ...
③ Load Configuration	A=Axial loads M=Radial loads 1 E=Radial Loads 2 S=SMD structure B=No load
④ Electrode amount	2R=2electrode device 3R=3 electrode device
⑤ DC Spark-over Voltage	75=75V 90=90V...
⑥ Surge rating	L=0.5KA T=1KA U=1.5KA N=2KA S=2.5KA R=5KA M=10KA H=20KA W:>20KA
⑦ Fail safe (FS)	F=With Fail Safe 0=Without Fail Safe
⑧ Package	B=Bulk Packing R=Reel Taping S=SMD Taping 0=No Require

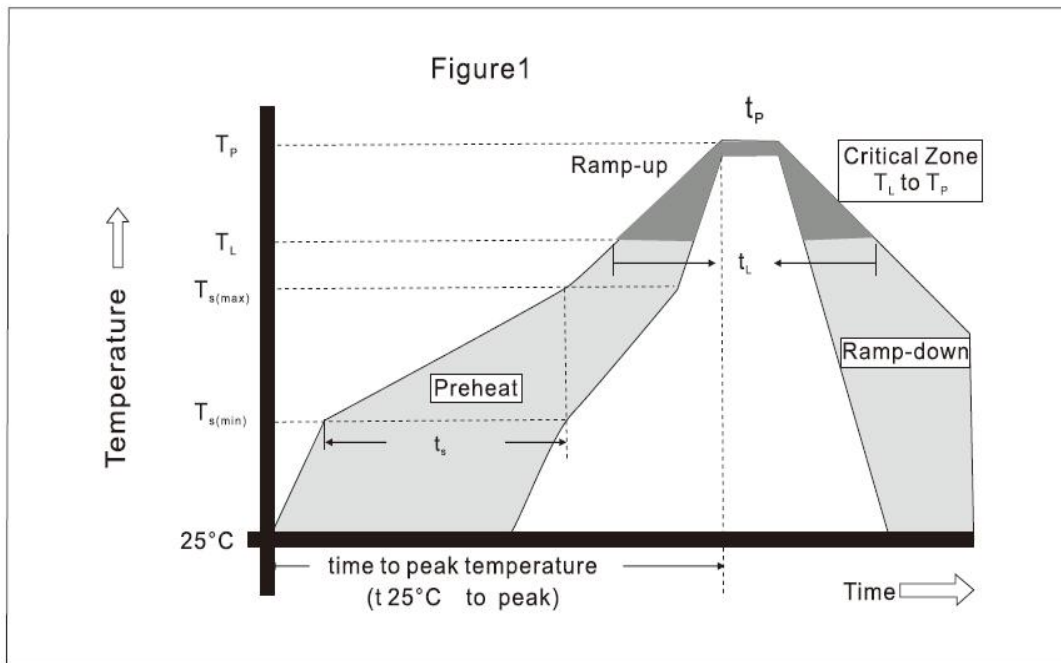
Packaging

On Taping: KW8M3R series-100pcs PVC, 500PCS in box, 5000pcs Outer box.

Type KW8M3R Series

Soldering Parameters 焊接参数

Reflow Condition 回流条件		Pb-Free assembly 无铅制程
Heat Pre	Temperature Min (T_s)	150°C
	Temperature Max (T_s)	200°C
	Time (Min to Max) (t_s)	60-180secs
Average ramp up rate (Liquidus) Temp (T_L) to peak		3°C/second max
T_s (max) to T_L -Ramp-up Rate		5°C/second max
Reflow	-Temperature (T_L) (Liquidus)	217°C
	Time (Min to Max) (t_L)	60-150 seconds
Peak Temperature (T_p)		260 ^{-0/-5} °C
Time within 5°C of actual peak Temperature (t_p)		8-20 seconds
Ramp-down Rate		6°C/second max
Time 25°C to peak Temperature (T_p)		8 minutes max.
Do not exceed		260°C



Temperature Range 温度范围

➡ Operating temp range: -55°C to +125°C

➡ Storage temp range: -40°C to +85°C