

Type KW5B2R Series /Gas Discharge Tube贴片氣體放電管



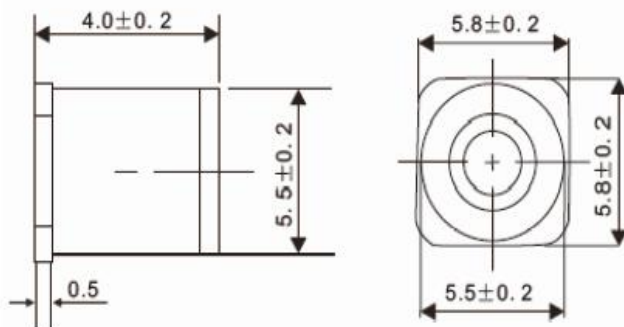
Features 产品特征

- ➔ Non-Radioactive
非引线式的
- ➔ Low insertion loss
低插入损耗
- ➔ Excellent response to fast rising transients
对快速上升瞬态极好的响应
- ➔ 5KA surge capability testde with 8/20μs pulse as defined by IEC 61000-4-5
根据IEC 61000-4-5的定义，测试8/20 μ s脉冲的5KA冲击能力
- ➔ RoHS compliant
通过无铅认证
- ➔ Ultra low capacitaqnce
超低电容

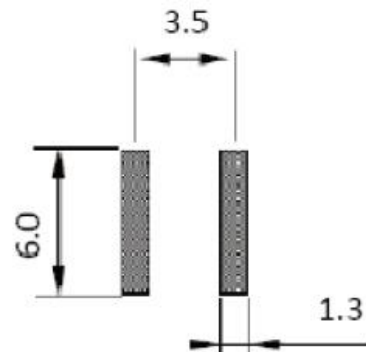
Applications 产品应用

- ➔ Communication equipment
通信设备
- ➔ Test equipment
测试设备
- ➔ Broadband equipment
宽带设备
- ➔ Power supplies
电源供应器
- ➔ CATV equipment
有线电视设备
- ➔ Data lines
数据传输线
- ➔ ADSL equipment
ADSL设备
- ➔ Telecom SLIC protection
电信SLIC保护

Dimensions(Unit:mm)尺寸（单位：mm）



Recommended Land Pattern焊盘尺寸



Agency Approvals 认证

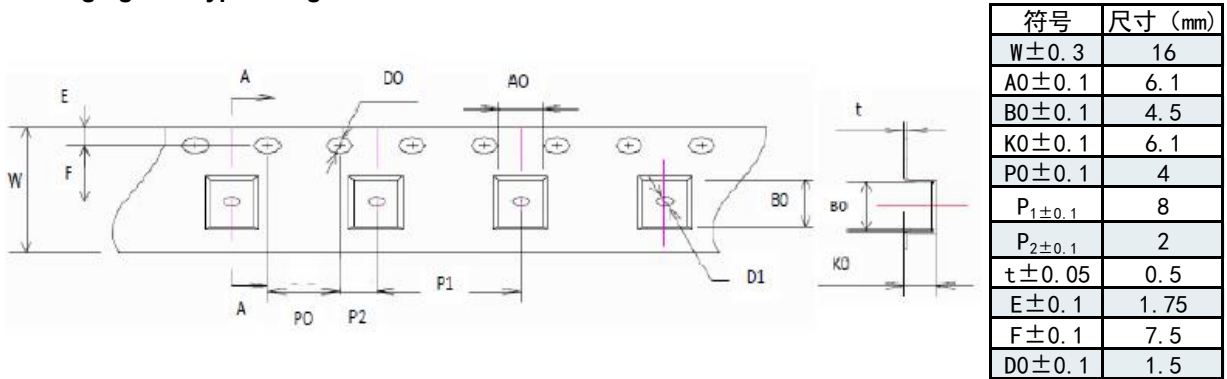
Icon	Description
RoHS	Compliance with 2011/65/EU
HF	Compliance with IEC61249-2-21:2003
	Mean Lead free
	Compliance with UL497B,Certificated E324754

Type KW5B2R Series

Electrical Specifications 电气特性

Catalog Number	DC Spark-Over Voltage 100V/s Vs(V)	Impulse Spark-Over 1KV/μs Vis(V)Max	Nom Impulse Discharge Current 10×700μs(KV)	Nom Impulse Discharge Current 8×20μs(KA)	Insulation Resistance		Capacitance C 1MHz < 6V pF Max
					Min. MΩ	DC V	
KW5B2R75	75V±30%	700	5.0	5.0	1000	50	1
KW5B2R90	90V±30%	700	5.0	5.0	1000	50	1
KW5B2R150	150V±30%	700	5.0	5.0	1000	50	1
KW5B2R230	230V±20%	600	5.0	5.0	1000	100	1
KW5B2R350	350V±20%	800	5.0	5.0	1000	100	1
KW5B2R470	470V±20%	900	5.0	5.0	1000	250	1
KW5B2R600	600V±20%	1200	5.0	5.0	1000	250	1
KW5B2R1000	1000V±20%	1800	5.0	5.0	1000	250	1

Packaging and Type Designation 包装和型号名称



Formation of Type Designation 类型命名的形成

Example: KW - 5 - B - 2R-90- * - * - *
① ② ③ ④ ⑤ ⑥⑦⑧

Symbols 符号表

① Company code	KW=Kingwahoo product
② Rated diameter	3=3mm diameter 4=4mm diameter 5=5mm diameter ...
③ Load Configuration	A=Axial loads M=Radial loads 1 E=Radial Loads 2 S=SMD structure B=No load
④ Electrode amount	2R=2electrode device 3R=3 electrode device
⑤ DC Spark-over Voltage	75=75V 90=90V...
⑥ Surge rating	L=0.5KA T=1KA U=1.5KA N=2KA S=2.5KA R=5KA M=10KA H=20KA W:>20KA
⑦ Fail safe (FS)	F=With Fail Safe 0=Without Fail Safe
⑧ Package	B=Bulk Packing R=Reel Taping S=SMD Taping 0=No Require

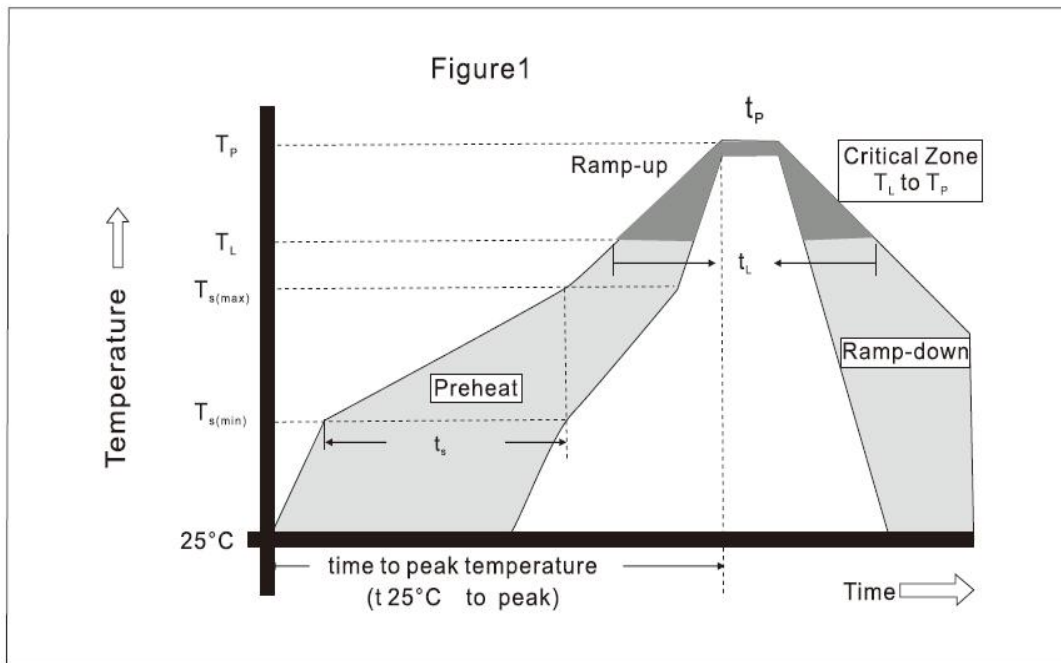
Packaging

On Taping: KW5B2R series-1500pcs Per Reel, 6000PCS in box, 24000pcs Outer box.

Type KW5B2R Series

Soldering Parameters 焊接参数

Reflow Condition 回流条件		Pb-Free assembly 无铅制程
Heat Pre	Temperature Min (T_s)	150°C
	Temperature Max (T_s)	200°C
	Time (Min to Max) (t_s)	60-180secs
Average ramp up rate (Liquidus) Temp (T_L) to peak		3°C/second max
T_s (max) to T_L -Ramp-up Rate		5°C/second max
Reflow	-Temperature (T_L) (Liquidus)	217°C
	Time (Min to Max) (t_L)	60-150 seconds
Peak Temperature (T_p)		260 ^{-0/-5} °C
Time within 5°C of actual peak Temperature (t_p)		8-20 seconds
Ramp-down Rate		6°C/second max
Time 25°C to peak Temperature (T_p)		8 minutes max.
Do not exceed		260°C



Type KW5B2R Series

Solderability test可焊性试验

Solderability	
Solder Pot Temperature	245±5℃
Sloder Dwell Time	4-6 seconds

Environmental Reliability Characteristics环境可靠性条件

Testing items	Technical standards
High Temperature Storage Test	Temperature:85℃ Time:2H
Low Temperature Storage Test	Temperature:-40℃ Time:2H
Vibration	Frequency:100-500Hz Amplitude:0.15mm Time:45mins
Resistance of soldering heat	Temperature:260±5℃ Time of dip soldering:10s,1 time

Temperature Range温度范围

- Operating temp range:-55℃ to +125℃
- Storage temp range:-40℃ to +85℃